

# Rainbow

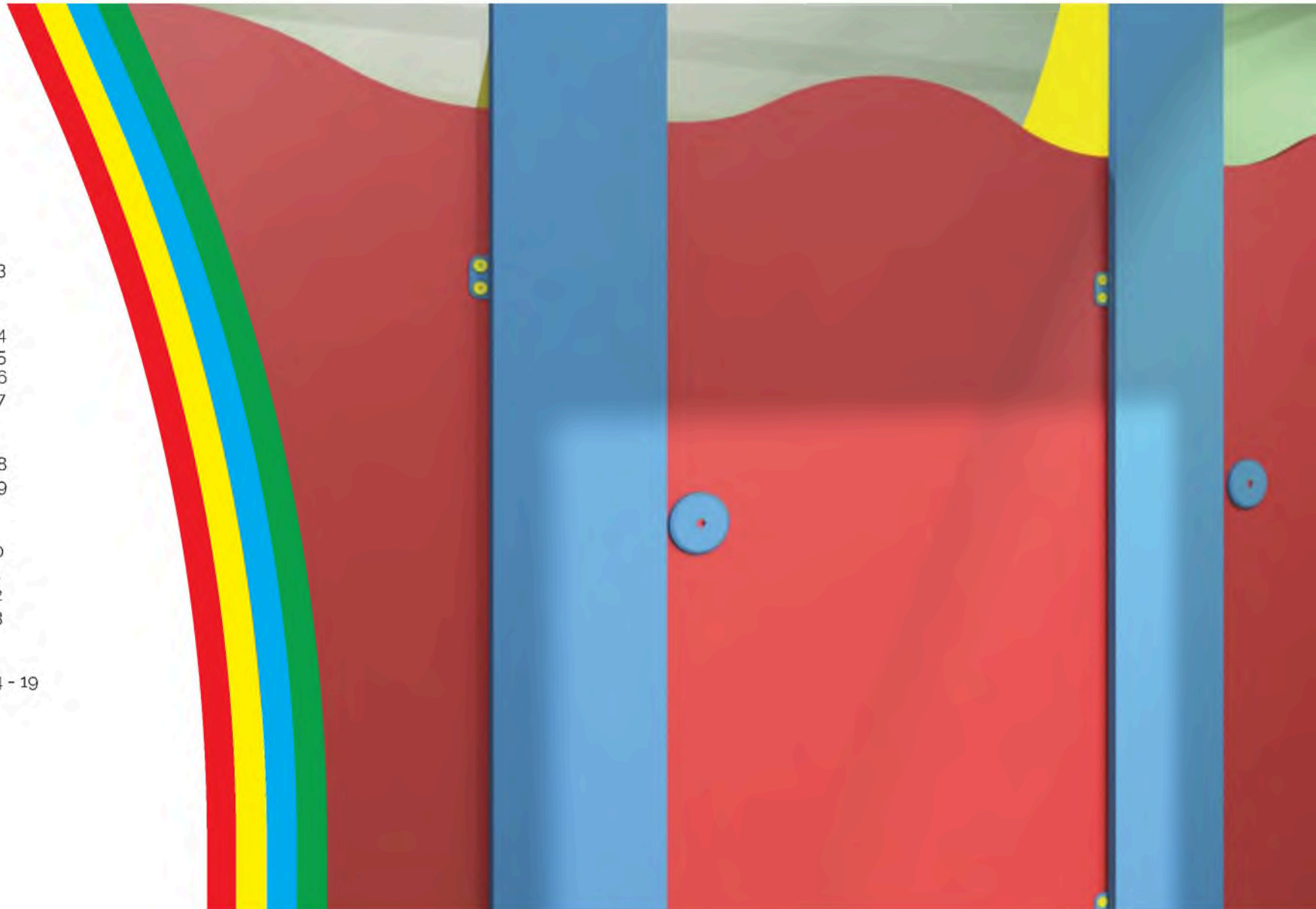
Cubicle Range



 total cubicles

# CONTENTS

<b>Why Choose Rainbow?</b>	03
<b>Rainbow Cubicles</b>	04
Standard Layout Options	05
Standard Component Sizes	06
Rainbow Specifications	07
<b>Rainbow Vanity</b>	08
Vanity Unit Layouts & Options	09
<b>Rainbow IPS</b>	10
IPS Panel Options	11
Personalisation	12
Fitting Options	13
<b>Installation</b>	14 - 19



# WHY CHOOSE **Rainbow** ?

## Who are Total Cubicle Solutions?

Total Cubicle Solutions offer an extensive range of Cubicles, Wall Cladding Boards, IPS duct panels, and Vanity Units.

Manufactured in the UK, our innovative products are made to the highest of standards. Each of our Washroom Systems are created to precision by our in-house team allowing you confidence and assurance specifying Total Cubicles for all your Washroom needs.

With over 45 years' industry experience and a passion for stylish yet affordable Cubicle Solutions, our friendly staff will offer helpful advice on all our products.



## Why choose Rainbow?

The Rainbow range has been specifically designed with youngsters in mind, catering for Nurseries, Primary Schools and Junior Schools.

The Rainbow range offers an array of stimulating colours as standard, helping to create a bright and interesting environment for youngsters. In addition to the standard colours we also offer a printing service, allowing you to further customise our products with imagery and text – limited only to the imagination and creativity of you and your children.



The Rainbow range offers specifically shaped and sized doors and partitions to ensure children receive all the privacy they require, whilst maintaining a suitable level of supervision for their safety.

If required, rainbow is also available with ambulant sized access to ensure compliance with the Building Regulations Part M. The Rainbow range also offers IPS panels, Vanity Units and Wall Clad systems to suit.

# Rainbow CUBICLES



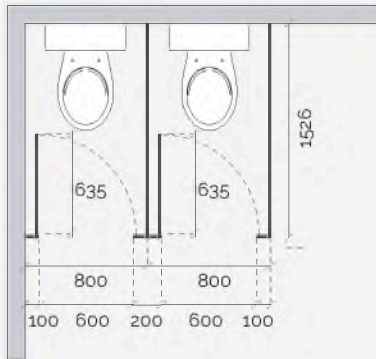
## **Rainbow - Toilet cubicles for Schools**

The Rainbow cubicles are available in Infant and Junior size options and are finished in stimulating colours helping to create a bright and interesting environment for youngsters.

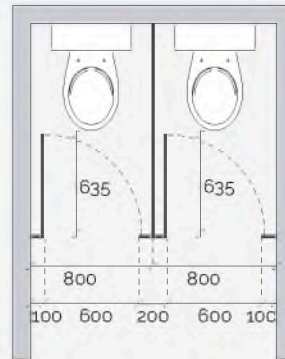
The cubicle partitions and cubicle fittings i.e. locks, feet and hinges are also finished in the three vibrant colours creating a truly stunning cubicle range for children.

# STANDARD LAYOUT OPTIONS

## C/L Corner Layout



## B/W Between Walls



## E/C Enlarged Cubicle

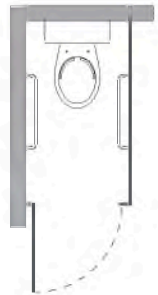
Enlarged Cubicles measure a minimum of 1200mm wide.

The door is outward opening.

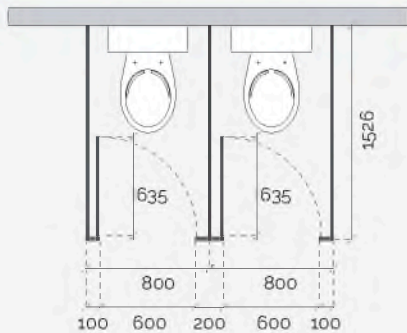


## A/D Ambulant Disabled

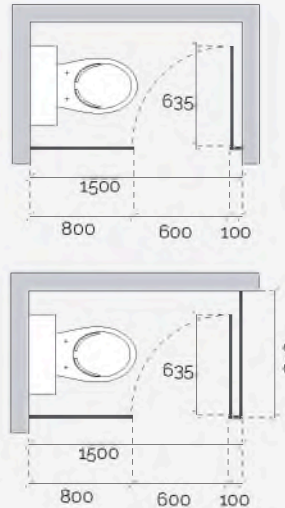
Ambulant Disabled Cubicles have an outward opening door.



## F/S Free Standing



## S/I Single In-Line Partition

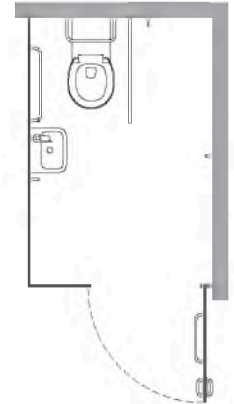


Single In-Line Partition with optional return

## W/A Wheelchair Accesible

Disabled Accessible WC Cubicles are required to have a width of 1500mm and a minimum depth of 2200mm.

An outward opening door must be fitted, providing a 900mm wide opening.



**Note**  
All dimensions are quoted in millimetres.

# COMPONENT SIZES

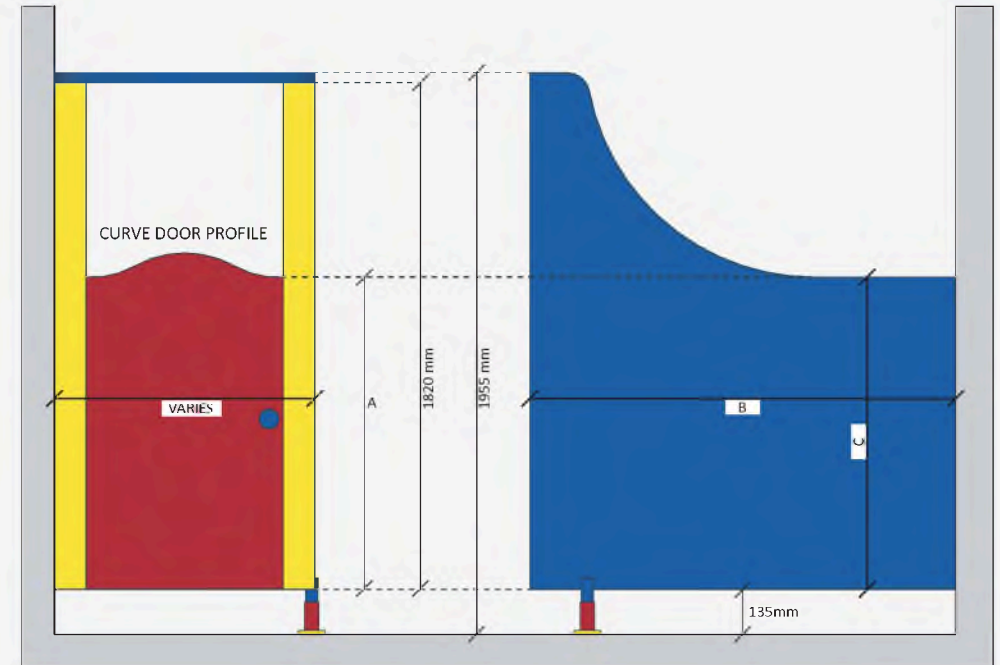
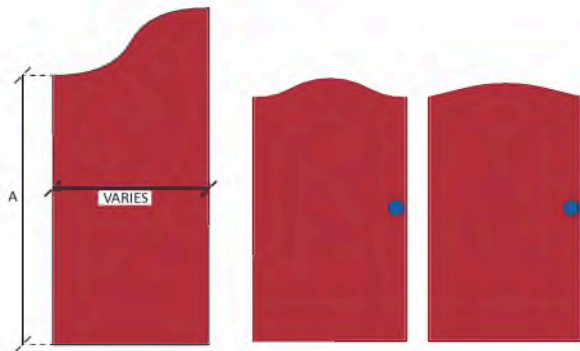
## Typical Dimensions

The Rainbow has three door profiles to choose from, Curve, Wave and Crest.

Doors and Partitions are also available in Infant and Junior sizes; the variable dimensions are as follows.

Dimension	Infant Size	Junior Size
<b>A</b>	1000 mm	1300 mm
<b>B</b>	1500 - 1800 mm	1500 - 1800 mm
<b>C</b>	1100 mm	1300 mm
<b>VARIES</b>		

WAVE DOOR PROFILE



## The Rainbow Range of Cubicles shown in Standard Colours

The Rainbow range can be customised with alternative colours to those shown. Digital print can also be used to further personalise the Rainbow Range.

### Note

All dimensions are quoted in millimetres.

# SPECIFICATIONS

**Material** **MFC** Melamine Faced Chipboard

Thickness: 19 mm

Edging Material: 2 mm PVC in matching colour

Suitability of Use: Low-Mid traffic, Low moisture areas

**Overall Dimensions:** 1500 mm deep, 800 mm centres

## Colour Options

The colour of the Doors, Pilasters and Partitions can be specified individually.



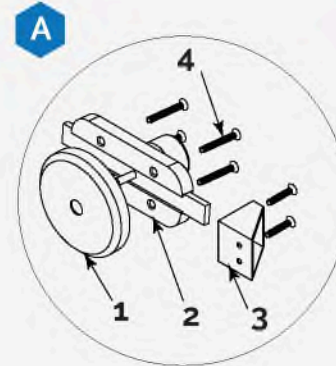
**Fittings** **MC** Multi Colour

All fittings required to assemble your Rainbow Cubicle System are supplied in our Multi Colour Option.

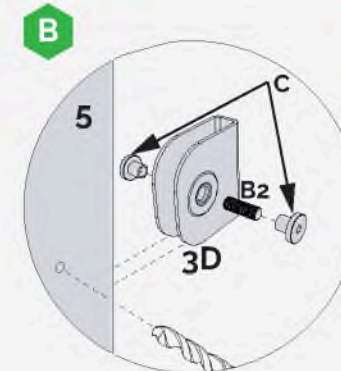
This includes Brackets, Hinges, Head rails, Bolts, Legs, Locks, Coat Hooks and Toilet Roll Holders.

Replacement fittings can be ordered from our fittings website: [www.cubiclefittings.com](http://www.cubiclefittings.com)

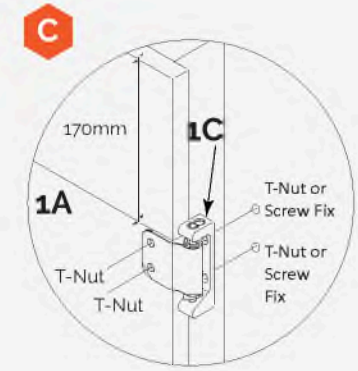
## Technical Details



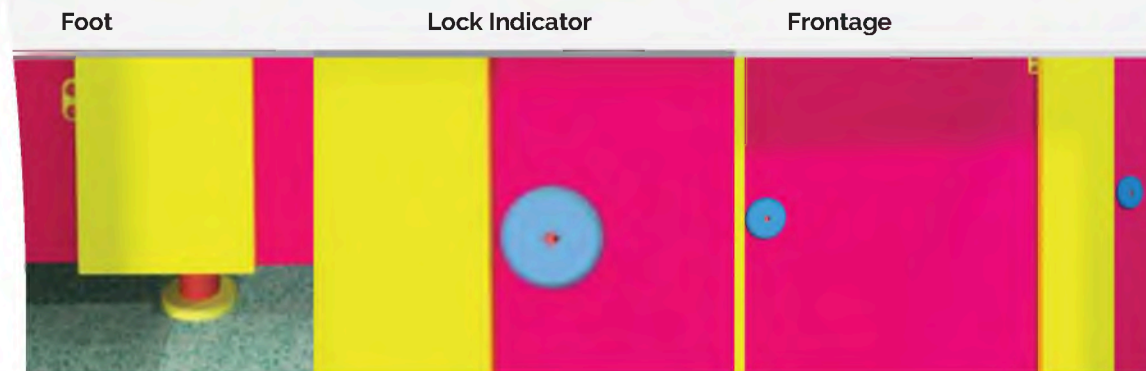
- A** 19mm Multi Coloured Indicator Bolt c/w Keep
- 1** Indicator Face
  - 2** Latch
  - 3** Keep
  - 4** Machine Screws



- B** Channel Bracket Fixing
- 3D** 19mm Multi Colour Channel Brackets c/w Fixings TCUCHA19PCMC
  - C** Multi Colour T-Nuts TC-CTNUTMC
  - B2** 19mm Thread TC-B2THREAD



- C** Hinge Dimensions
- 1C** 19mm Multi Colour Hinge (Pair c/w fixings) TCHIN19PCMC
  - 1A** Rainbow WC Door 1800 x 635mm



# Rainbow VANITY

## Vibrant Vanity Units for Schools

Our Popular Rainbow range vanity units ideal for schools, daycares and nurseries, are offered in the same vibrant colour options to match the Cubicles, whilst adding heavy duty wear & water resistance.

The Rainbow rang of Vanity Units are designed to suit the height requirements of Kinder, Infant & Junior Schools.

Specifications: HPL Laminate

Full Width: 600mm

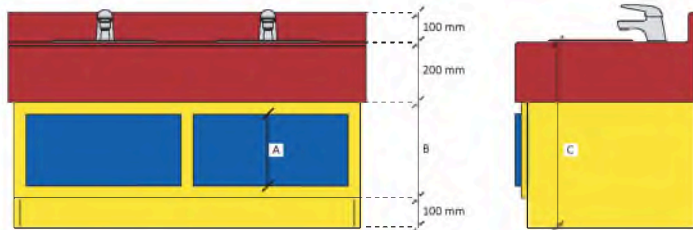
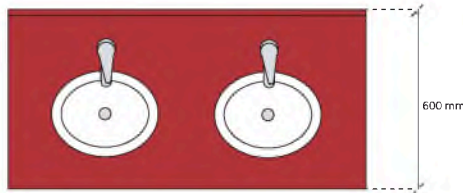
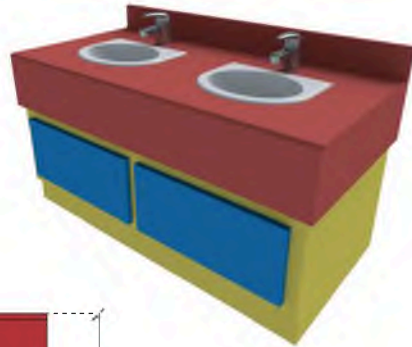
Semi Recessed: 350mm

Height: 820mm

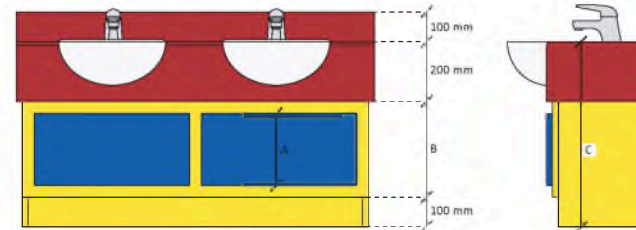
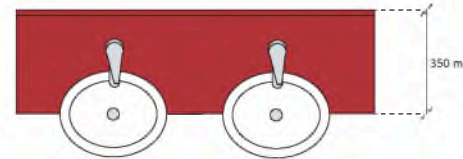


# VANITY UNIT LAYOUTS & OPTIONS

Standard Vanity Unit  
0000STD



Semi Recessed Vanity Unit  
0000



As standard, Vanity Units are supplied without Upstands. Options are available to include 100mm Loose Upstands or 100mm Covered Integral Upstands.

Both the Standard Vanity and the Semi Recessed Vanity Units are available in Infant and Junior sizes. The variable dimensions are as follows:

Dimension	Infant Size	Junior Size
A	240 mm	340 mm
B	320 mm	420 mm
C	620 mm	720 mm

**Note**

All dimensions are quoted in millimetres.

# Rainbow IPS

## Colourful IPS Panels for Schools

Comes in three variants:

WC

Urinal

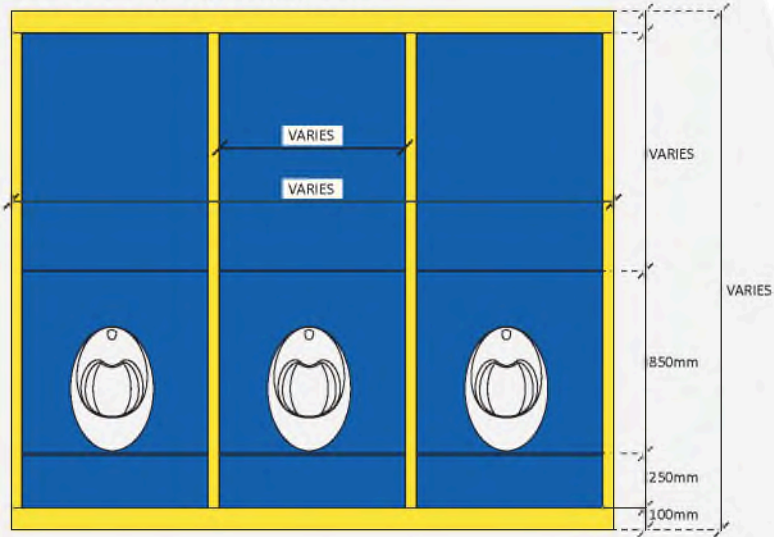
Wash Hand Basin

Rainbow IPS back panels supplied pre-fitted to softwood framing with concealed keku clips. Available in colour options to match the 'Rainbow' range of cubicles. Ideal for schools, daycares and nurseries.

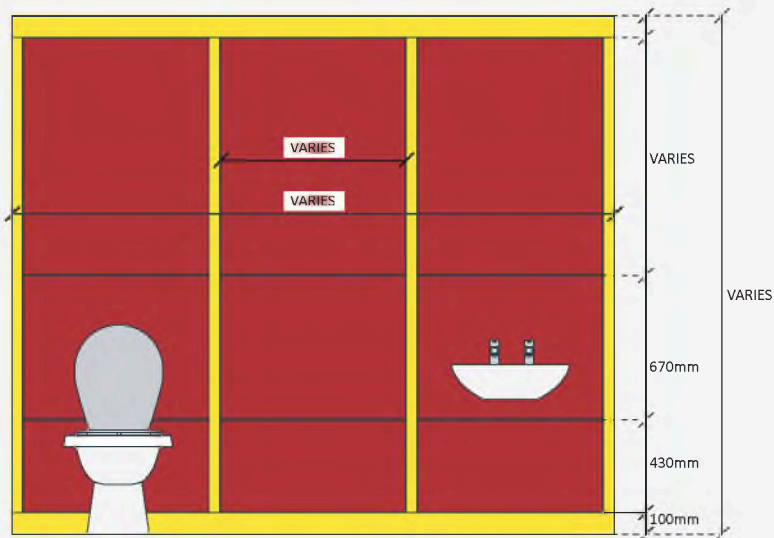


# IPS PANEL OPTIONS

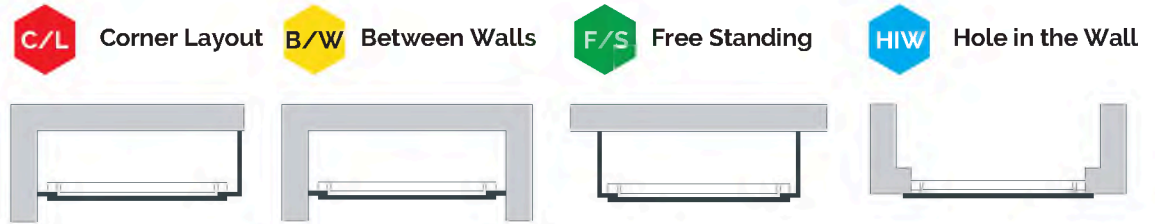
Standard Urinal IPS Dimensions



Standard W.C. and Wash Hand Basin IPS Dimensions



## Typical Layouts



The overall width and height of our IPS Units are made to measure according to the dimensions you require. The edges of the panels can either be square edged with 2mm PCV or Postformed to either the horizontal or vertical edges.

**Square edged**  
(Matched or contrasting colour)



**Postformed**



**Note**

All dimensions are quoted in millimetres.

# PERSONALISATION

## Digital Print

Utilising a 7 colour printing set-up capable of printing at 1400 dpi, the printer is able to apply photo quality and true greyscale images to a wide range of substrate materials.

Not only are the images of the highest quality, the printing process also applies an antibacterial coating. The inks are also resistant to UV light helping to maintain their vibrancy ... even in outdoor conditions!

Digital Printing allows you to transform your washroom into something creative, vibrant and unique.

## Design guide

Total cubicle Solutions offer a range of quality images for Digital Print. If you intend to supply us with your own imagery, we would recommend reading the following guidelines to ensure that the quality of the image is retained during the printing process:

- Images supplied in .ai or .eps formats
- High resolution image if supplied in other formats
- Original images are sharp and clear

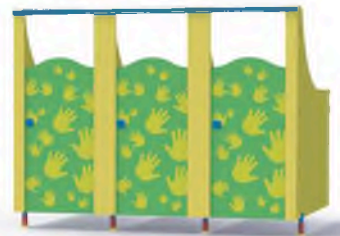
Princess Palace



Deep Space



High Five



ABC



Sea bed



## Mirrors

With numerous designs complimentary to the Digital Print designs we offer, our Rainbow Range of Mirrors are the perfect finishing touch to any children's washroom.

Deep Space



Princess Palace



High Five



Sea bed



Lost World



# FITTING OPTIONS

## Rainbow School Cubicle Fittings

Multi Coloured Fittings for Toilet Cubicles.

These fun colourful fittings are Multi-Powder coated in either Red, Blue or Yellow to create a more playful aesthetic for our Junior and Infant toilet cubicles.

Our Cubicle Fittings are available in Satin Anodized, Black Powder Coated or Multi Coloured.

We supply fittings with a heavy duty bolt through design for low maintenance and high performance, and sturdy round legs which are purposeful as well as attractive.

Large stocks are held and discounted prices will apply for volume users.

Replacement fittings can be ordered from our fittings website:

[www.cubiclefittings.com](http://www.cubiclefittings.com)

19mm Multi Colour Hinge  
(c/w fixings)  
TCHIN19PCMC



19mm Multi Colour Channel Brackets  
c/w fixing  
TCCHA19PCMC



19mm Multi Coloured Indicator Bolt c/w Keep  
TCLOCKPCMC



19mm Multi Colour Adjustable Leg  
TCRL19PCMC



MPC L Section Headrail 2m  
TCLHR2MPC  
OR  
MPC L Section Headrail 3m  
TCLHR3MPC



Multi Colour Internal Lock Keep  
TCIDKPCMC



Multi Colour Toilet Roll Holder  
TCTRHOLDPCMC



Multi Colour Coat Hook  
TCCHOOKPCMC



Multi Colour External Lock Keep  
TCODKPCMC



Bolt - Yellow  
Powder Coated  
TCTNUTPMC



Bolt - Black  
Powder Coated  
TCTNUTB



Multi Colour Disabled Hand Rail  
TCDRHB



Door Buffer 8m  
AC-T950  
OR  
Door Buffer 15m  
AC-T951



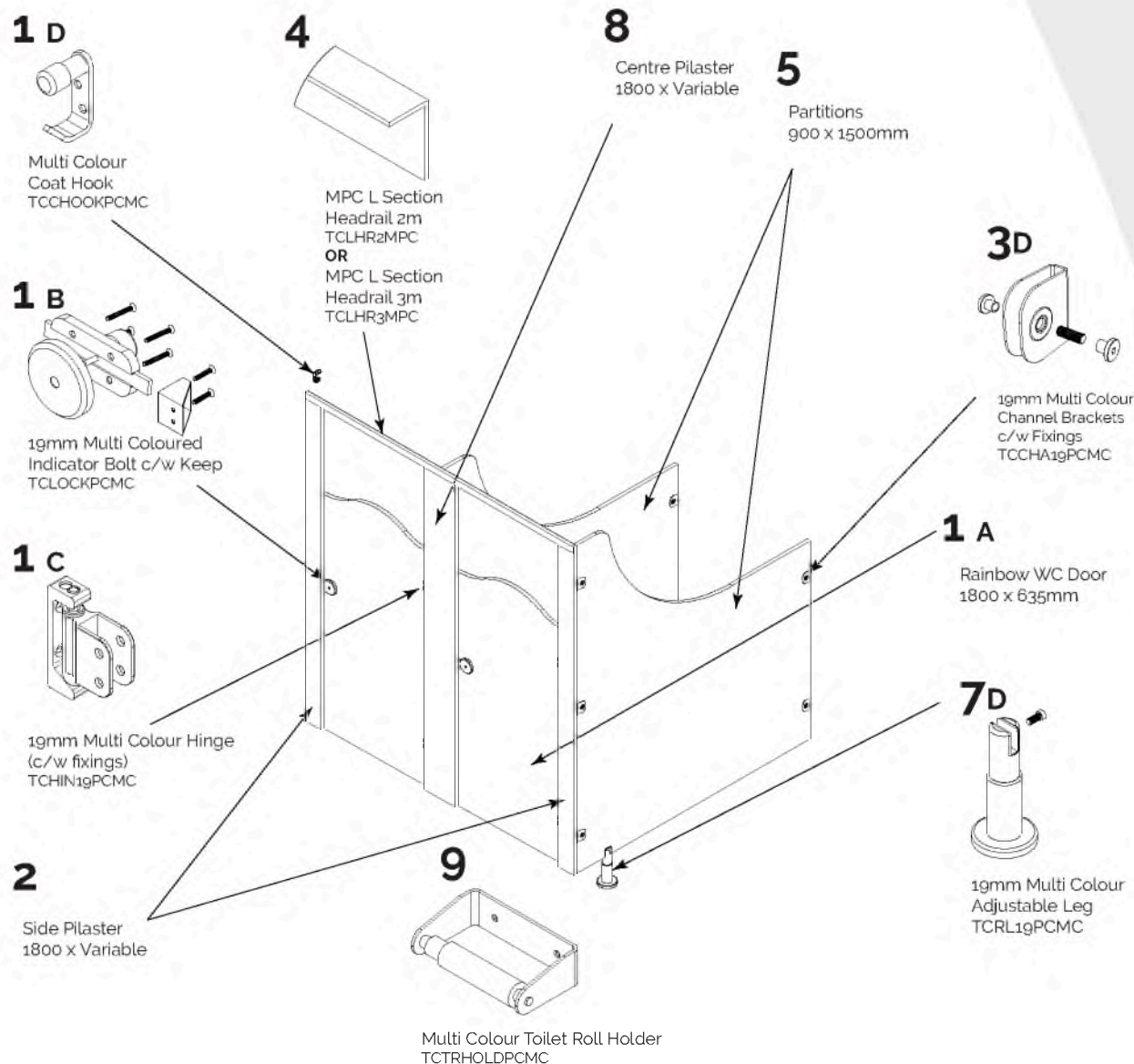


## Installation Instructions

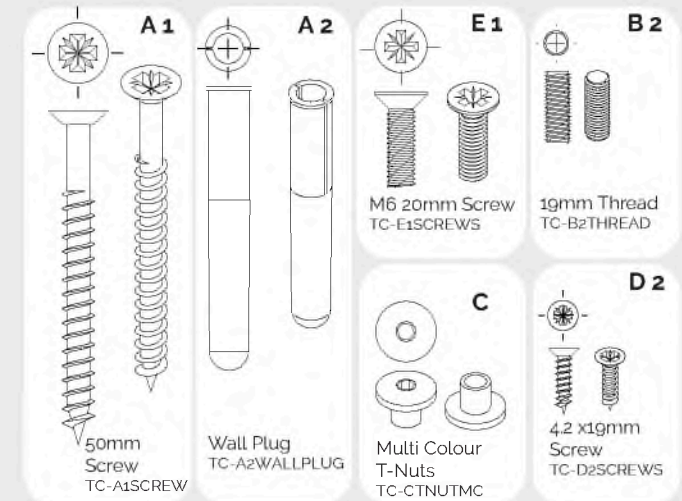
Please look over the enclosed drawings to familiarise yourself with all the parts required to construct the Cubicle.

Check that the sizes you have provided for manufacture are correct and match the sizes on site.

# COMPONENTS



## Component Fixings



## Tools required



## Colour Options

The colour of the Doors, Pilasters and Partitions can be specified individually.

For the full range of Volante colours please visit:

<http://www.totalcubicles.com/colours/rainbow>

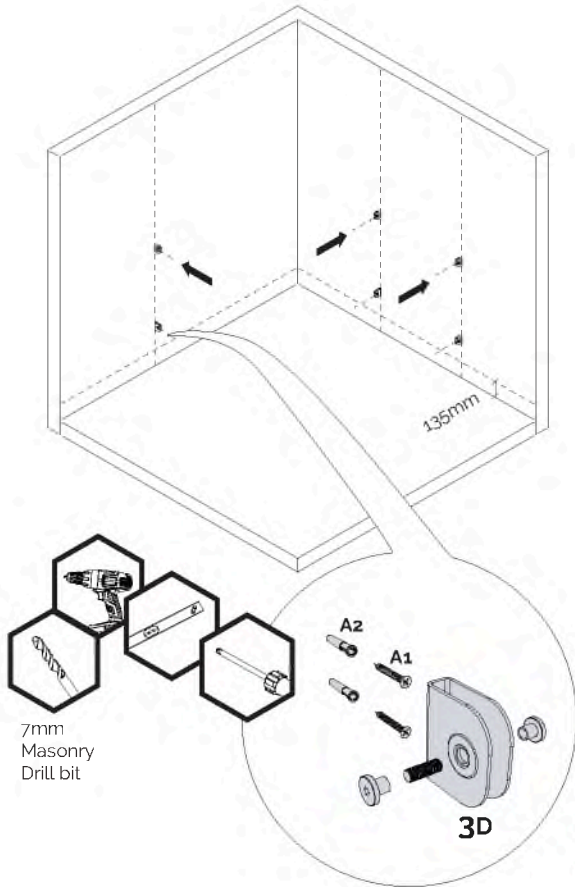


**PLEASE READ THROUGH INSTRUCTIONS THOROUGHLY BEFORE ATTEMPTING INSTALLATION**

# INSTRUCTIONS

1

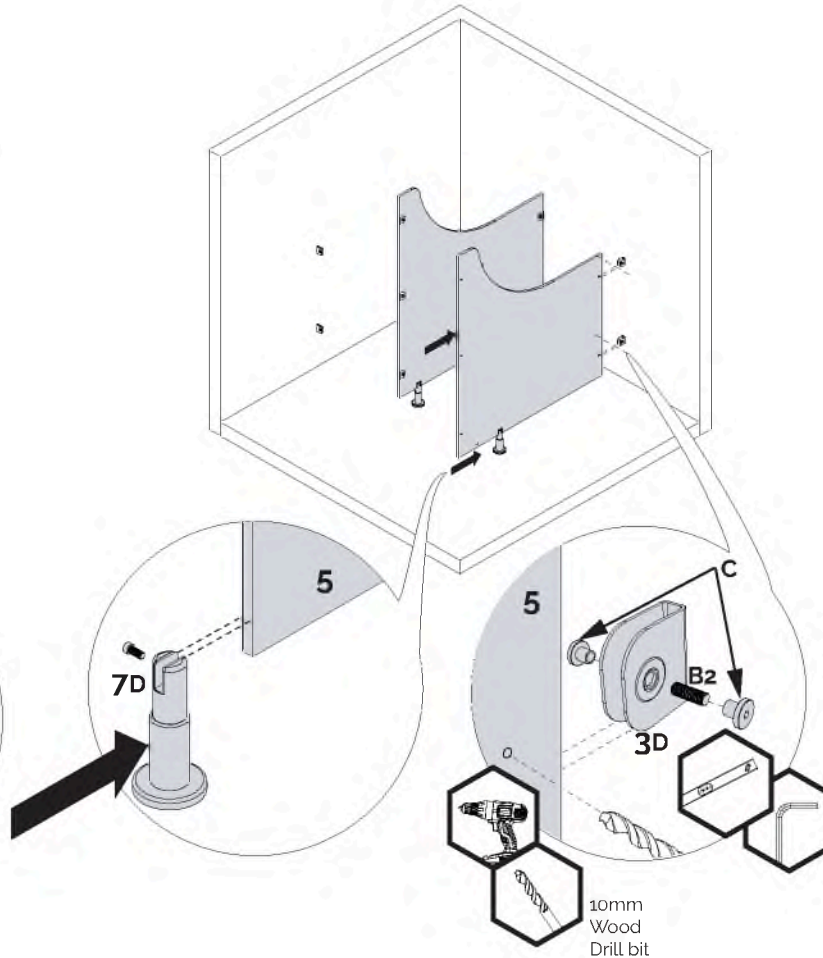
Drill in locations shown using a 7mm Masonry drill bit. Now fix the Channel Brackets at the locations shown to your supplied dimensions using the 50mm Screws and Brown Wall Plugs.



2

Drill your Partitions using a 10mm Wood Drill Bit, then slot Partition Panels into the Channel Brackets.

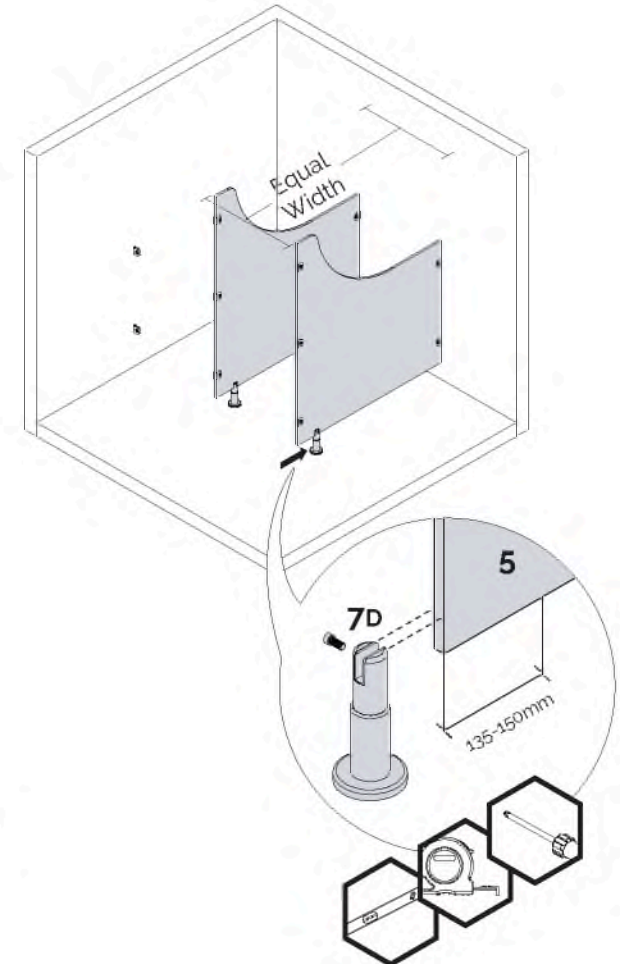
Now fix in positions as shown below using the T-Nuts and 19mm Thread provided. Use the Legs to provide support.



3

Ensure your spacing at the front is equal to that at the back.

You can now fix Legs into the floor using the parts and fixings provided, and tighten to the Partition Panels.





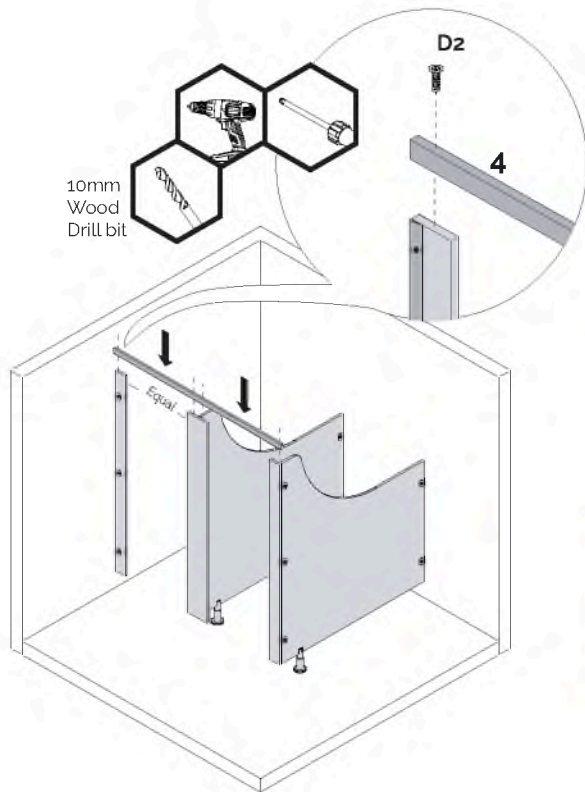
# INSTRUCTIONS

7

Now you are ready to install your Head Rail. Firstly, cut your Head Rail to your overall length.

**Note-** If your run of cubicles requires more length then cut the Head Rail to meet centrally above a Pilaster.

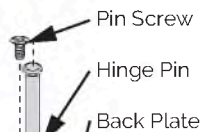
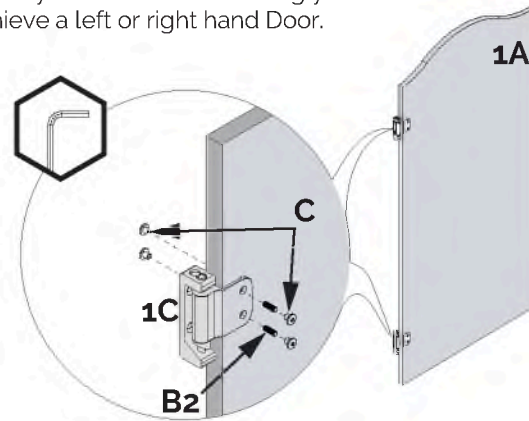
With your Head Rail in position ensure your aperture is consistent from the top to bottom and pre-drill the Pilasters through the Head Rail, fix using 4.2 x 19mm screws.



8

Now you must dress your Doors ready for installation.

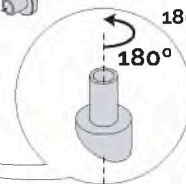
Firstly, fit each Hinge to your Door using 4 no T-Nuts and 2 no 19mm Thread. You can now rotate your Doors before fitting your Lock to achieve a left or right hand Door.



**Now your Doors are dressed you are ready to fit them to your Cubicles.**

Firstly, remove the Back Plate of each hinge by removing the Pin Screw and sliding the Hinge Pin out.

To change door closure direction, rotate nylon part 180 degrees.



9

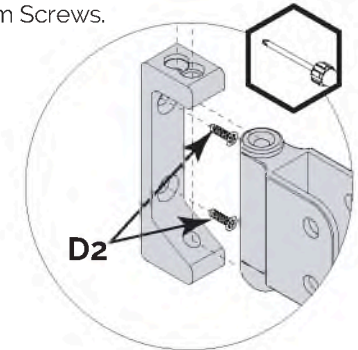
There are 2 fixing methods.

Use Fixing method 1 for a more aesthetically pleasing look.

Use Fixing method 2 for a more robust fitting.

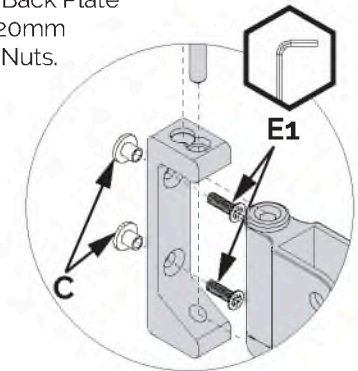
**Fixing method 1**

Fit each Hinge using 2 no 4.2 x 19mm Screws.



**Fixing Method 2**

Drill through your Pilasters and attach your Back Plate using 2 no M6x 20mm Screws and 2 T-Nuts.

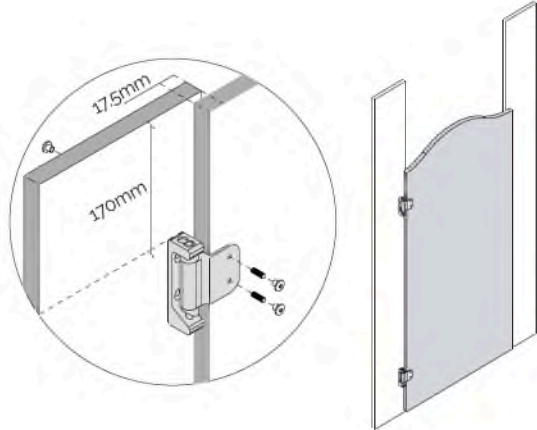


# INSTRUCTIONS

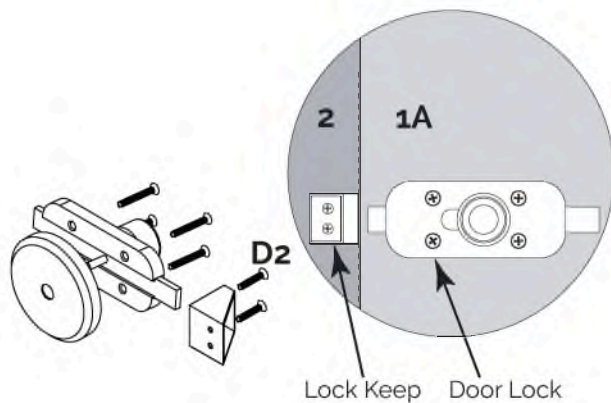
10

**A** - All inward opening Doors are 35mm wider than your aperture and should sit equally 17.5mm over each Pilaster.

**Note** - see step 10 for Outward Opening Doors.

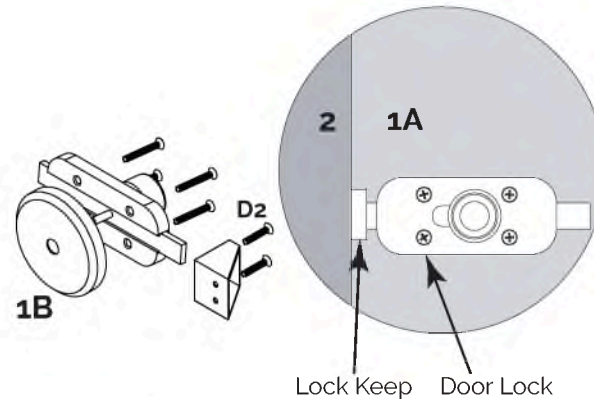


**B** - Once your Door is fitted using one of the two fixing methods, you can fix your Lock Keep using 2 no 4.2 x 19mm Screws as shown in the diagram below.



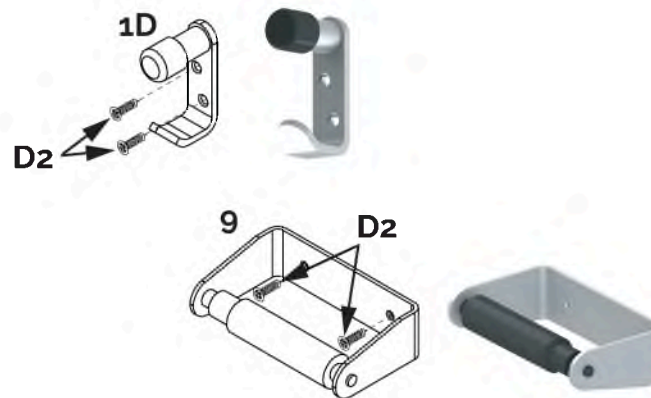
11

Outward opening Doors are fitted to the outside of the Pilaster. The Door is 45mm bigger than the aperture and is fitted 17.5mm over on the Hinge side and 27.5 mm over on the Lock side. The Keep is fitted behind the Door as shown on the diagram.



12

Fit your Toilet Roll Holders and Coat Hooks at your desired height using 4.2x19mm Screws.



Sales Office  
London Office  
Mobile Enquiry's  
Fax  
Email

0151 298 1509  
020 7458 4402  
07850 079616  
0844 800 7738  
sales@totalcubicles.co.uk